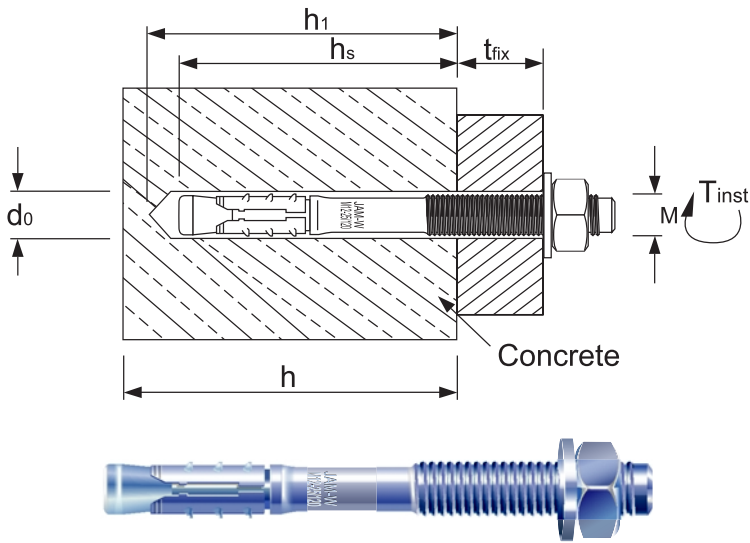


JAM-W Steel Wedge Anchor



Features

- dependable, economical anchor, externally threaded
- efficient through fixing, torque controlled expansion

Application

- high racking, safety barriers, hand rails, channels, brackets, cable trays, ducts and suspended ceilings

Material

- steel, zinc plated $\geq 5\mu\text{m}$
- steel, hot dip galvanized $\geq 45\mu\text{m}$

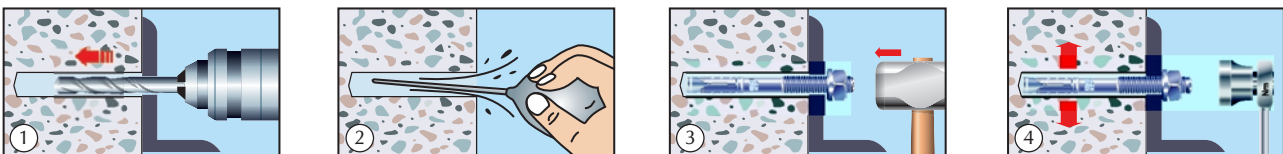
Base material

- concrete
(Non-cracked concrete $f_{cc} = 30\text{N/mm}^2$)

Item No. (Zinc Plated)	Item No. (Hot Dip Galvanized)	Description	Bore x Hole Depth $d_o \times h_1$ (mm)	Setting Depth h_s (mm)	Tightening Torque T_{inst} (Nm)	Fixture Thickness t_{fix} (mm)	Base Material Thickness h (mm)	Recommended Load* Tensile Load (kN)	Shear Load (kN)
2000106050	-	W M6-5/50	6 x 45	36	8	5	100	1.78	2.54
2000106065	-	W M6-10/65	6 x 55	46	8	10	100	2.90	2.54
2000108060	2000308060	W M8-5/60	8 x 55	45	15	5	100	3.13	5.55
2000108075	2000308075	W M8-10/75	8 x 65	55	15	10	100	4.67	5.55
2000108090	2000308090	W M8-25/90	8 x 65	55	15	25	100	4.67	5.55
2000108110	2000308110	W M8-45/110	8 x 65	55	15	45	100	4.67	5.55
2000110070	2000310070	W M10-10/70	10 x 60	48	30	10	100	4.01	7.86
2000110090	2000310090	W M10-20/90	10 x 70	58	30	20	100	5.86	7.86
2000110100	2000310100	W M10-30/100	10 x 70	58	30	30	100	5.86	7.86
2000110110	2000310110	W M10-40/110	10 x 70	58	30	40	100	5.86	7.86
2000110120	2000310120	W M10-50/120	10 x 70	58	30	50	100	5.86	7.86
2000112075	2000312075	W M12-5/75	12 x 65	55	50	5	100	4.68	11.00
2000112090	2000312090	W M12-5/90	12 x 80	70	50	5	120	7.58	11.00
2000112105	2000312105	W M12-10/105	12 x 90	80	50	10	150	9.90	11.00
2000112120	2000312120	W M12-25/120	12 x 90	80	50	25	150	9.90	11.00
2000112170	2000312170	W M12-75/170	12 x 90	80	50	75	150	9.90	11.00
2000116100	2000316100	W M16-5/100	16 x 90	75	100	5	150	9.40	19.00
2000116120	2000316120	W M16-5/120	16 x 110	95	100	5	150	15.11	19.00
2000116140	2000316140	W M16-25/140	16 x 110	95	100	25	180	15.11	19.00
2000116215	2000316215	W M16-100/215	16 x 110	95	100	100	180	15.11	19.00
2000120170	2000320170	W M20-30/170	20 x 130	115	200	30	220	19.50	19.99

*Factor of Safety = 3(Tension); 2.52(Shear)

Installation of JAM-W Steel Wedge Anchor



1. Drill to specified diameter and depth.
2. Clean the hole with blow-out bulb.
3. Drive anchor carefully with hammer into hole until nut and washer are flush with fixture.
4. Tighten with the torque wrench to the recommended torque value.