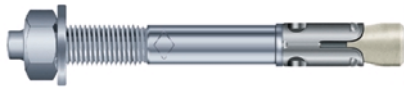




Wedge Anchor BZ plus

Steel, zinc plated



Wedge Anchor BZ plus



Description

The Wedge Anchor BZ plus combines high ultimate loads with small anchor spacing and edge distances. The coating of the expansion cone with durable, heat resistant head shrink tube is a patented invention of MKT to prevent cold welding of stainless steel material and provide the right friction between expansion cone and expansion sleeve for the life time of the fixing, not only at the time of installation; a condition for reliable crack-tested anchors. The anchor is shock approved.

Applications

Medium to heavy duty anchorings in cracked and non-cracked concrete: Steel beams, base plates, channels, tracks, wood structures.



Range of concrete quality: C20/25 - C50/60

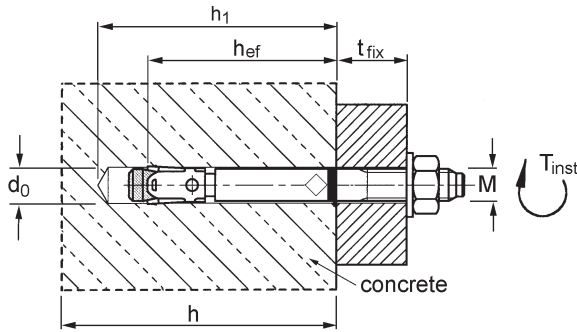


Loads and performance data				M8	M10	M12	M16
				cracked concrete C25/30			
Recommended loads, tension	rec. N	[kN]	2.20	4.00	5.30	11.00	
Recommended loads, shear	rec. V	[kN]	4.40	6.96	10.10	18.83	
Recommended bending moments	rec. M	[Nm]	13.10	25.70	45.10	113.70	

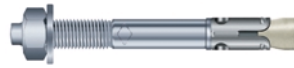
Loads and performance data				M8	M10	M12	M16
				non-cracked concrete C25/30			
Recommended loads, tension	rec. N	[kN]	5.33	7.11	8.77	15.44	
Recommended loads, shear	rec. V	[kN]	4.40	6.96	10.10	18.83	
Recommended bending moments	rec. M	[Nm]	13.10	25.70	45.10	113.70	

Installation parameters

Drill hole diameter	d _o	[mm]	8	10	12	16
Diameter of clearance hole in the fixture	d _f	[mm]	9	12	14	18
Depth of drill hole	h ₁	[mm]	60	75	90	110
Effective anchorage depth	h _{ef}	[mm]	46	60	65	85
Minimum thickness of concrete slab	h	[mm]	100	120	130	170
Installation torque	T _{inst}	[Nm]	15	25	45	90
Width across nut	SW	[mm]	13	17	19	24



Wedge Anchor BZ plus



→ Steel, zinc plated

→ Approved for cracked and non-cracked concrete

Item No	Description	Drill hole Ø x depth mm	Setting depth mm	Fixture thickness t_{fix} mm	Anchor length l mm	Thread Ø x length mm	Pkg. cont. pcs.	Weight per pkg. kg
2020708075	BZ 8-10/75	8 x 60	52	10	75	M8 x 20	100	3.05
2020708080	BZ 8-15/80	8 x 60	52	15	80	M8 x 25	100	3.20
2020708095	BZ 8-30/95	8 x 60	52	30	95	M8 x 25	100	3.69
2020708115	BZ 8-50/115	8 x 60	52	50	115	M8 x 25	100	4.01
2020708165	BZ 8-100/165	8 x 60	52	100	165	M8 x 25	50	2.81
2020710090	BZ 10-10/90	10 x 75	67	10	90	M10 x 20	50	3.02
2020710095	BZ 10-15/95	10 x 75	67	15	95	M10 x 25	50	3.14
2020710100	BZ 10-20/100	10 x 75	67	20	100	M10 x 30	50	3.26
2020710110	BZ 10-30/110	10 x 75	67	30	110	M10 x 30	50	3.52
2020710130	BZ 10-50/130	10 x 75	67	50	130	M10 x 30	50	4.02
2020710155	BZ 10-75/155	10 x 75	67	75	155	M10 x 30	50	4.65
2020712110	BZ 12-15/110	12 x 90	80	15	110	M12 x 25	25	2.57
2020712115	BZ 12-20/115	12 x 90	80	20	115	M12 x 30	25	2.65
2020712125	BZ 12-30/125	12 x 90	80	30	125	M12 x 35	25	2.82
2020712145	BZ 12-50/145	12 x 90	80	50	145	M12 x 35	25	3.19
2020712160	BZ 12-65/160	12 x 90	80	65	160	M12 x 35	25	3.46
2020712180	BZ 12-85/180	12 x 90	80	85	180	M12 x 35	25	3.81
2020712200	BZ 12-105/200	12 x 90	80	105	200	M12 x 35	25	4.60
2020712220	BZ 12-125/220	12 x 90	80	125	220	M12 x 35	25	5.03
2020712240	BZ 12-145/240	12 x 90	80	145	240	M12 x 35	20	4.40
2020712255	BZ 12-160/255	12 x 90	80	160	255	M12 x 35	20	4.46
2020716135	BZ 16-15/135	16 x 110	100	15	135	M16 x 30	20	4.42
2020716145	BZ 16-25/145	16 x 110	100	25	145	M16 x 40	20	4.68
2020716170	BZ 16-50/170	16 x 110	100	50	170	M16 x 40	20	5.33
2020716200	BZ 16-80/200	16 x 110	100	80	200	M16 x 40	10	3.00
2020716220	BZ 16-100/220	16 x 110	100	100	220	M16 x 40	10	3.70
2020716250	BZ 16-140/260	16 x 110	100	140	260	M16 x 40	10	4.40
2020716300	BZ 16-180/300	16 x 110	100	180	300	M16 x 40	10	5.77

Other lengths on demand



ETA-03/0017, Option 1

Recommended tension loads for single anchor without influence of spacing and edge distance, total safety factor 3

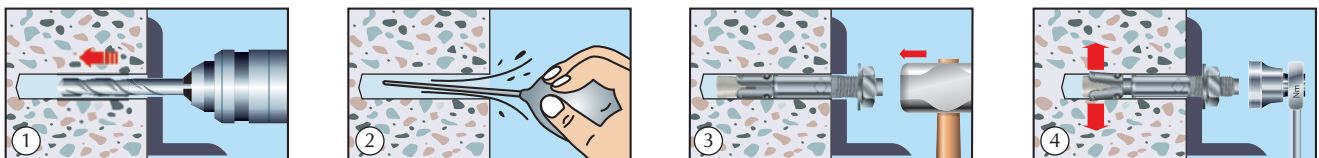
Tension [kN]	Cracked concrete			
	Concrete strength	M8	M10	M12
C20/25	1.98	3.60	4.77	9.90
C25/30	2.20	4.00	5.30	11.00
C30/37	2.42	4.40	5.83	12.10
C40/50	2.79	5.08	6.73	13.97
C50/60	3.08	5.60	7.42	15.40

Tension [kN]	Non-cracked concrete			
	Concrete strength	M8	M10	M12
C20/25	4.80	6.40	7.90	13.90
C25/30	5.33	7.11	8.77	15.44
C30/37	5.86	7.82	9.64	16.98
C40/50	6.76	9.02	11.13	19.60
C50/60	7.46	9.95	12.27	21.61

Recommended shear loads for single anchor without influence of spacing and edge distance, total safety factor 3. C20/25 up to C50/60 in cracked and non-cracked concrete.

Shear [kN]	Cracked and non-cracked concrete			
	Concrete strength	M8	M10	M12
≥ C20/25	4.40	6.96	10.10	18.83

Installation of MKT BZ Steel Wedge Anchor



1. Drill to specified diameter and depth.
2. Clean the hole with blow-out bulb.
3. Drive anchor carefully with hammer into hole until nut and washer are flush with fixture.
4. Install fixture and tighten anchor to specified torque. If the marking in the threaded part of the anchor bolt becomes visible, do not load anchor. Refer to approvals and schedules for design and building code compliance.